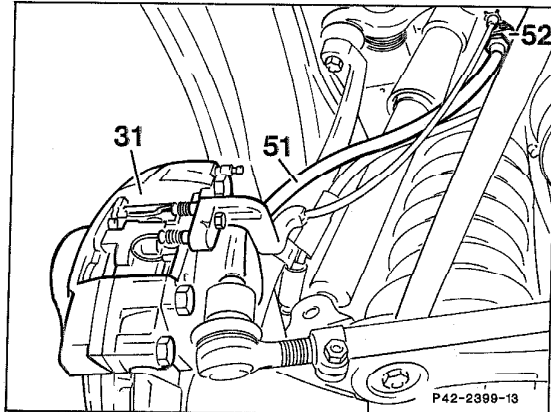


## 42-0013 Replacing brake hoses

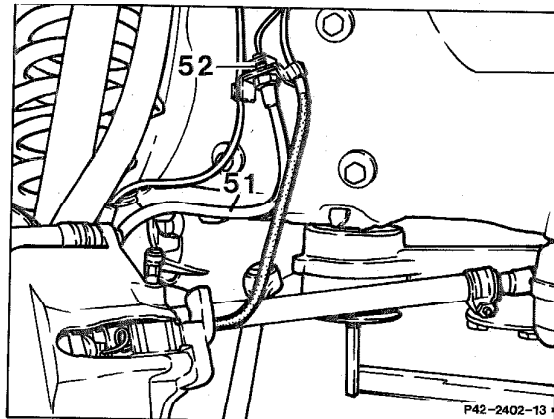
Position of brake hose on front axle  
Vehicles with fixed calipers



P42-2399-13

P42-2399-13

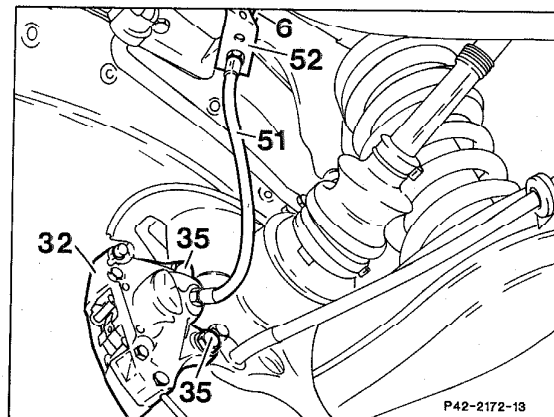
Position of brake hose on front axle  
Vehicles with floating calipers



P42-2402-13

P42-2402-13

Position of brake hose on rear axle  
Vehicles without anti-squat control

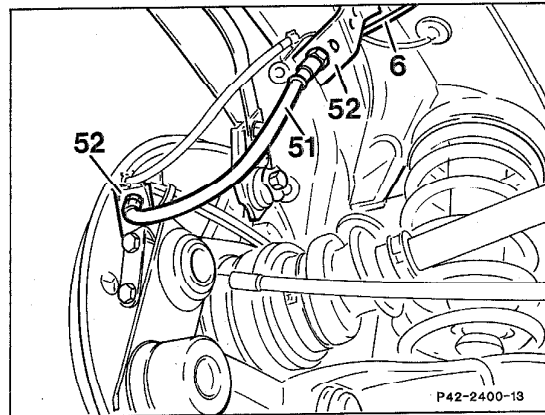


P42-2172-13

P42-2172-13

## 42-0013 Replacing brake hoses

Brake hose position on rear axle  
Vehicles with anti-squat control



P42-2400-13

Brake line .....	disconnect from brake hose (51). Use open box wrench 9 x 11. Hold brake hose with open-end wrench. Plug connection.
Brake hose (51) .....	screw out of brake caliper. Install only approved brake hoses. Do not install brake hoses (51) twisted. Brake hoses installed twisted can be untwisted by moving the 6-point shaft on the brake hose in the 12-point hole in the retaining plate. Install brake hose so that it does not rub. To check turn steering wheel to left and right while fully extending and retracting the front suspension at the wheel being checked. Check position of brake hose on rear wheel brakes in fully extended and retracted position of suspension. Tightening torque 15 Nm use open box wrench (14 mm) 000 589 76 03 00 and torque wrench 001 589 72 21 00.
Brake calipers (31, 32, 33 or 34) .....	plug connection.
Mount (52) .....	check for correct position following accident repair.

## 42-0013 Replacing brake hoses

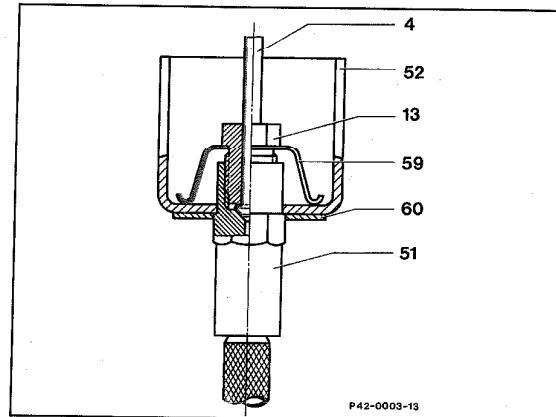
### Commercially available tool

Open double-end box wrench 9 × 11

e. g.. Hazet,  
D-5620 Remscheid  
Order no. 612

### WARNING!

Following accident repairs check position of brake hose, because even a slight change in the position of the mount (52) on the frame floor can change the position of the brake hose, which can result in abrasion.



P42-0003-13

- 4 Brake line
- 13 Union screw
- 51 Brake hose
- 52 Mount on frame floor
- 59 Spring, brake hose mount
- 60 Retaining plate with 12-point hole

### Special tools

